

CONTRACTOR GAUGE

LEAD FREE CONTRACTOR GAUGE



CONTRACTOR GAUGE (PCT) LEAD FREE CONTRACTOR GAUGE (PCT-LF)



WINTERS
Instruments
Excellence Since 1953

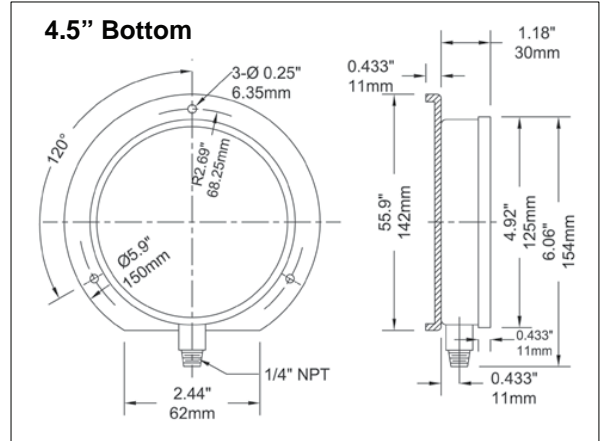


DESCRIPTION & FEATURES:

- Economical 4.5" (115mm) stainless steel case gauge
- Brass or lead free brass wetted parts
- ±1% accuracy
- Zero adjustment screw
- 1/4" NPT
- Restricted orifice
- ASME B40.100 compliant
- CRN registered
- Lead free version NSF-61-372 certified
- 5 year warranty

APPLICATIONS:

- Most commercial air, water and steam services (with syphon)
- Lead free version for potable water systems



Specifications	
Dial	4.5" (115mm) white aluminum with black and red markings
Case	304 SS
Lens	Acrylic
Ring	304 SS
Socket	PCT: Brass PCT-LF: Lead free brass, NSF-61-372 certified
Connection	1/4" NPT standard
Bourdon Tube	Phosphor bronze
Movement	PCT: Brass, PCT-LF: Lead free brass, NSF-61-372 certified
Pointer	Aluminum, anodized black, recalibrator screw
Welding	Silver solder
Over-pressure Limit	25% for pressures up to 1,450 psi (9,998 kPa), 15% for pressures over 1,450 psi (9,998 kPa)
Working Pressure	Maximum 75% of full scale value
Ambient/Process Temperature	-40°F to 200°F (-40°C to 93°C)
Accuracy	±1% ANSI/ASME Grade 1A
Enclosure Rating	IP52
Warning	WARNING: This product can expose you to chemicals including lead, which is known to the State of California to cause cancer and birth defects or other reproductive harm. For more information go to www.P65Warnings.ca.gov .

PCT Order Codes (products in bold are normally stock in North America)

Connection	1/4" Bottom
30" Hg Vac/kPa	PCT320
30"/0/30 psi/kPa	PCT329
30"/0/60 psi/kPa	PCT330
30"/0/100 psi/kPa	PCT328
30"/0/160 psi/kPa	PCT332
30"/0/200 psi/kPa	PCT333
30"/0/300 psi/kPa	PCT334
0/15 psi/kPa	PCT319
0/30 psi/kPa	PCT321
0/60 psi/kPa	PCT322
0/100 psi/kPa	PCT323
0/160 psi/kPa	PCT324
0/200 psi/kPa	PCT325
0/300 psi/kPa	PCT326
0/400 psi/kPa	PCT327
0/600 psi/kPa	PCT331
0/1,000 psi/kPa	PCT293
0/3,000 psi/kPa	PCT294
0/5,000 psi/kPa	PCT295

PCT-LF Order Codes (products in bold are normally stock in North America)

Connection	1/4" Bottom
30" Hg Vac/kPa	PCT320LF
30"/0/30 psi/kPa	PCT329LF
30"/0/60 psi/kPa	PCT330LF
30"/0/100 psi/kPa	PCT328LF
30"/0/160 psi/kPa	PCT332LF
30"/0/200 psi/kPa	PCT333LF
30"/0/300 psi/kPa	PCT334LF
0/15 psi/kPa	PCT319LF
0/30 psi/kPa	PCT321LF
0/60 psi/kPa	PCT322LF
0/100 psi/kPa	PCT323LF
0/160 psi/kPa	PCT324LF
0/200 psi/kPa	PCT325LF
0/300 psi/kPa	PCT326LF
0/400 psi/kPa	PCT327LF
0/600 psi/kPa	PCT331LF
0/1,000 psi/kPa	PCT293LF
0/3,000 psi/kPa	PCT294LF
0/5,000 psi/kPa	PCT295LF

Other ranges and connection sizes available upon request. For scale change, refer to How to Order Guide for scale codes. **For options, attach suffix to end of order code: i.e. PCT322-45BF for BACK FLANGE.**

Option suffix:
45BF = 4.5" (115mm) Back flange

BRASS NEEDLE VALVE



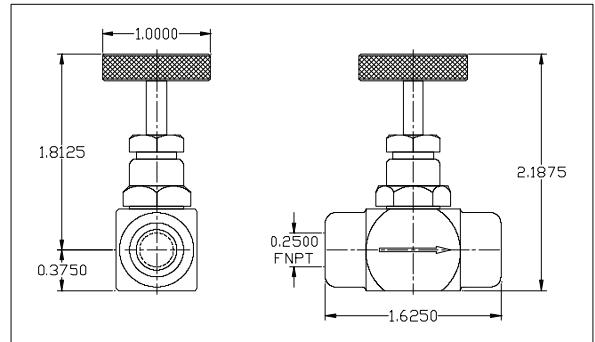
The ACNDTB brass needle valve is utilized for fine flow control and for controlling severe line pulsations in water, oil, and gas service.

FEATURES

- 1/4" x 1/4" Female NPT Connection
- Brass Bar Stock Body
- Rated to 600PSI @ 300°F

SPECIFICATIONS

Part Number	Connection Type	Maximum Pressure	Maximum Temperature
ACNDTB	1/4"X1/4"NPTF	600PSI	300°F



PRESSURE SNUBBER-FILTER



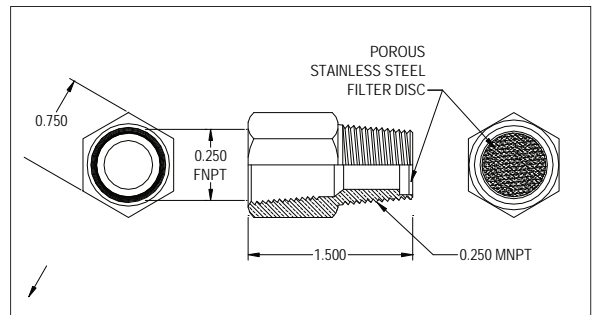
The ACSNBER brass snubber-filter, when placed before a pressure gauge, protects the gauge from surges and pressure shock and is used in water and light oil service.

FEATURES

- 1/4" Male NPT Connection
- Brass Body
- Micro Metallic Brass Snubbing/Filter Element (3/8" diameter x 1/8" thick)
- Rated to 1500PSI

SPECIFICATIONS

Part Number	Connection Type	Maximum Pressure
ACSNBER	1/4" MNPT	1500 PSI





TOZEN INDUSTRIAL CO., LTD.

3388/62 18TH FLOOR, SIRINRAT BLDG.,
RAMA IV RD., BANGKOK 10110 THAILAND
TEL : (66) 0-2029-0100
FAX : (66) 0-2029-0111
URL : www.tozen.co.th

TOZEN CORPORATION

8-4, ASAHI YOSHIKAWA
SAITAMA 342-008 JAPAN
TEL : 048-993-1030
FAX : 048-993-1038